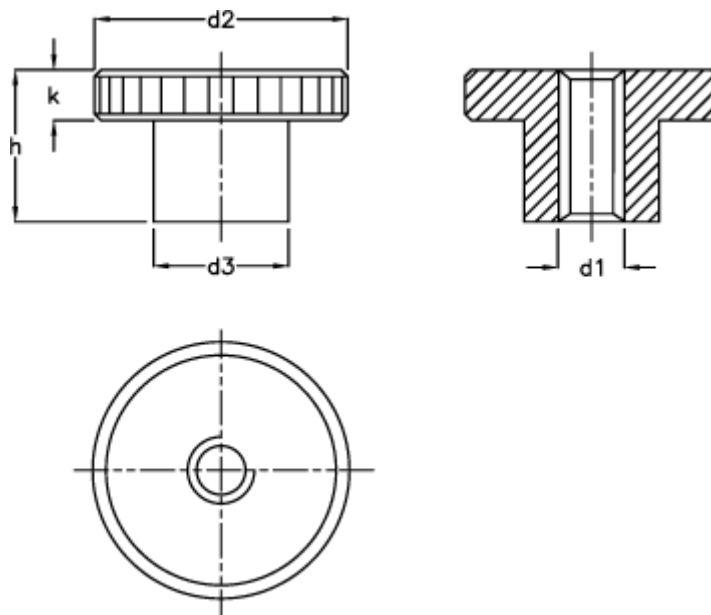


Article number: 20704511

Description: E+G Knurled nut DIN 466-M10

Measures



$d_1 = M 10$

$d_2 = 36$

$d_3 = 20$

$h = 23.0$

$K = 8.0$